



# EXAIR®-MAIL

Manufacturing Intelligent Compressed Air Products for Industry Since 1983

Number 139

THE LATEST NEWS YOU CAN USE FROM EXAIR

Spring 2024

View in your Space



## EXAIR Introduces New AR Web App

EXAIR carries an extensive selection of manufacturing solutions for different industry problems, and every solution requires specific models, sizes, materials and much more. Providing different options is EXAIR's way of accommodating the intricate needs of individual and unique manufacturing facilities. Through this large selection, EXAIR provides purchasers with confidence by providing a number of high-end resources to fully understand the best option for their process. To continue facilitating a high-quality user experience, EXAIR.com has added new Augmented Reality (AR) capabilities while visiting the site on a mobile device. Customers will now have the ability to not only view a 3D version of their selected product when they've reached the product page, but with the help of the EXAIR AR Web App, can view a true-to-scale version of the product in their real-life application. Augmented Reality is a cutting-edge technology, and EXAIR.com is proud to be the first, and only, manufacturer of compressed air solutions to deliver this magnificent tool to its customers.

The new AR web app provides an interactive and engaging experience for customers. This new feature creates more certainty with the researching and buying experience, and assures that the EXAIR solution is a perfect fit for their unique setup.

In addition to the new AR function, EXAIR.com has a large Knowledge Base that offers many other resources to help customers find and select the right solution for their application. Browse product videos, complete performance data, installation and maintenance guides, air savings calculators, case studies, slide presentations and an extensive Application Database including over one-thousand solutions to learn how EXAIR Intelligent Compressed Air® products can improve your processes. Visit EXAIR.com to begin taking advantage of these valuable resources, all free of charge.

Learn more about AR capabilities and how to use it by following this link: <https://exair.co/web-ar>

## Founder's Day

As many know February 22nd is a special day on the EXAIR calendar as we honor a tradition known as **Founder's Day**. It's on this day that we honor the memory of our late founder, Roy Sweeney and all that he meant to not only EXAIR, but the Cincinnati community.

Roy led EXAIR for 33 years and built EXAIR in to the successful company it is today, but Roy's business acumen was not the only legacy that he left behind. Roy was well known in the community for his charitable works and commitment to servitude. He and his wife Jackie put charity at the forefront of their lives and through countless acts of kindness, set an example for not only EXAIR employees but anyone who had the pleasure of knowing him.

It's for this reason, that EXAIR continues to honor his memory by giving back. Every year on February 22nd EXAIR donates to local charities, to continue making a difference. With these donations that we not only celebrate Roy's life, but it's a reminder to all EXAIR employees to take a second and reflect on ways to better serve the community.

Please read a recent blog from our President, Kirk Edwards, on what Founder's Day means to EXAIR, as well as a list of the charities we've donated to this year.

<https://exair.co/em-foundersday>



**EXAIR.com**

MANUFACTURING INTELLIGENT COMPRESSED AIR® PRODUCTS SINCE 1983

11510 Goldcoast Drive • Cincinnati, OH 45249-1621  
Phone (513) 671-3322 FAX (513) 671-3363  
E-mail: [techhelp@exair.com](mailto:techhelp@exair.com) • [www.exair.com](http://www.exair.com)



@EXAIR

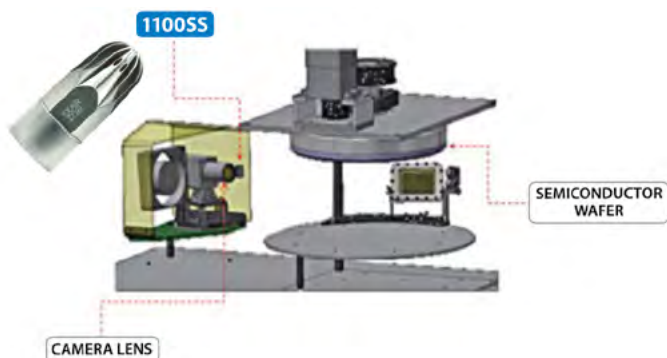


Please see other side

## Super Air Nozzles Improve Inspection Accuracy & Reliability

**APPLICATION GOAL:** To improve inspection accuracy and reliability by spraying dust off the camera lens of semiconductor inspection equipment; extending lens life and reducing labor.

**BEFORE EXAIR:** The customer manufactures inspection equipment to confirm the flatness of semiconductor wafers. Problems occur when foreign material such as dust attach to the camera lens; causing inspection errors. To resolve the problem, people performed direct cleaning on a regular basis using chemicals. As a result, chemical and wiping damaged the camera lens incurring replacement costs. In addition, labor cost for clean-up and replacement lenses were a negative aspect for equipment sales with increased maintenance cost.



**AFTER EXAIR:** EXAIR recommended air cleaning with the Model 1100SS Super Air Nozzle. The reason is to create a non-contact wiping; so that, there is no need to purchase cleaning chemicals and it is no longer necessary to replace the camera lens due to abrasions from wiping. Labor costs reduced because manual lens cleaning was no longer required. A more reliable machine with less maintenance makes it a more attractive purchase for customers.

### SUMMARY:

<b>The saving cost for one machine a year =</b>		
Lens exchanging periods: 4 times/year		
Lens Price	\$39/Each	\$156/year
<b>The saving cost for one machine a year =</b>		
Lens cleaning time: 10 minutes/day		
Payroll Costs	\$1.60/day	\$384/year
<b>Total Saving Cost: \$540/year</b>		



**EXAIR unconditionally guarantees its cataloged products for 30 days.** If you are not satisfied for any reason within that time, you may return the product for full credit with no restocking charge.

**EXAIR.com**

11510 Goldcoast Drive • Cincinnati, OH 45249-1621  
 Phone (513) 671-3322 FAX (513) 671-3363  
 E-mail: [techhelp@exair.com](mailto:techhelp@exair.com) • [www.exair.com](http://www.exair.com)  
 Copyright © 2024 by EXAIR All Rights Reserved.

## New Application Checklist

EXAIR products solve a variety of problems. Please call our Application Engineers at 1 (800) 903-9247 or e-mail them at [techhelp@exair.com](mailto:techhelp@exair.com) for assistance with yours.

### Chip Collection and Cleanup

Company manufactures automotive driveline components. They need to clean up oily chips after machining processes as well as some buffing dust. A **Model 6293 Deluxe Chip Vac System** will provide all the tools needed to clean up the chips and dust from various areas of the machine, as well as the floor. It will collect them into a 55-gallon drum for easy disposal later. The filter bag on the lid assembly will prevent dust from going back out into the breathing air. The drum dolly will provide for easy transport between machines.

**GO TO** [exair.co/05-cv](http://exair.co/05-cv)

### Convey Scrap Paper Label Backing

Company manufactures sound system equipment, including speakers and stereos. They need to remove the paper backing from labels after the labels are applied to the products. Due to the size of the labels, a **Model 6087 4" (102mm) Line Vac** is required, along with the **Model 6999 Mounting Bracket**, to carry the scrap paper backing away from the application area and to a collection bin for disposal.

**GO TO** [exair.co/05-lv](http://exair.co/05-lv)

### Keeping Brake Linings from Clinging to a Chute

A company manufactures braking systems for the automotive industry. They are making an "X" seal for the brake line assemblies used in the system. On an assembly machine, these seals move into a small vibratory bowl and are sent single file down a chute. The seals were sticking to the sides of the bowl and also not traveling down the chute in the proper orientation. This resulted in damaged seals and reject brake line assemblies. They have installed a **Model 8192 Ion Air Cannon** and a **Model 8194 Ion Air Jet** to blow on the bowl and the chute. This has eliminated the static problem, restoring operations and throughput.

**GO TO** [exair.co/05-iac](http://exair.co/05-iac)



## Industrial Housekeeping PROMOTION

Need a vacuum that will quickly and quietly pick up wet or dry workspace shavings, scraps, and sumps? EXAIR has it! Visit the promotion for **REAL SAVINGS**.



Order by April 30, 2024 and receive a **FREE Model 6492 Vac-u-Gun™**



[https://exair.co/05\\_vacpromo](https://exair.co/05_vacpromo)